

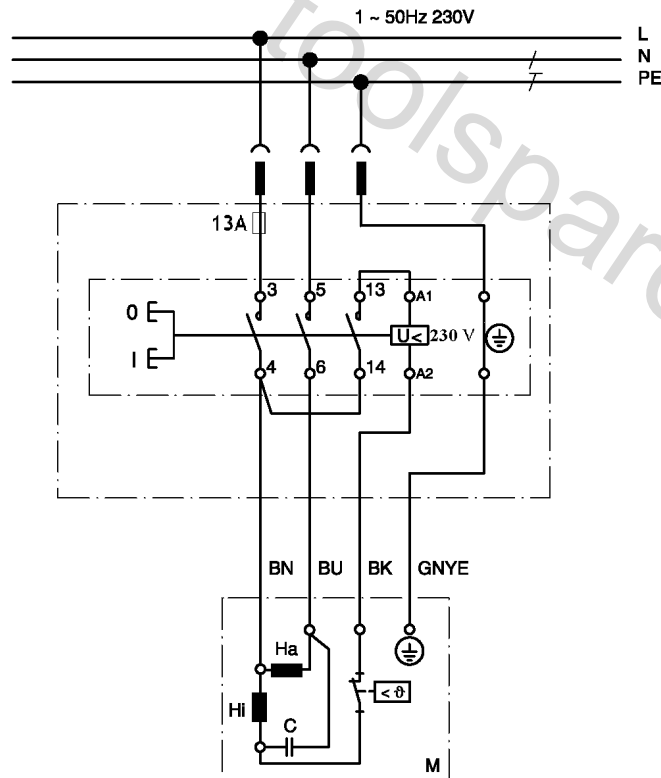
| Position | Amount | Type number | Description | PG |
|----------|--------|-------------|--|----|
| 1 | 1 | 1382693309 | EXTENSION PLATE BL 2,00X572X832 TKHS315M | 40 |
| 2 | 41 | 6209110995 | Flange nut | 10 |
| 3 | 23 | 141151340 | Washer | 10 |
| 4 | 4 | 1395200611 | BEARING BOLT | 14 |
| 5 | 2 | 1382678121 | SUPPORT BL 1,00X70X764,5 TVL | 26 |
| 6 | 2 | 6132685086 | HEX.SOCKET COUNTERS.HEAD SCREW M 6X10 VE | 10 |
| 7 | 25 | 6209114230 | Flange nut | 10 |
| 8 | 2 | 1381693917 | PLUG RD20/15-17X11,5 | 11 |
| 9 | 2 | 1382693828 | BRACKET, PRESSURE ROLLER BD 2,99X64X213 | 21 |
| 10 | 1 | 1485693889 | CROSSCUT FENCE GUIDE ROD RD 20X2X820 TKH | 27 |
| 11 | 26 | 6103001178 | Hex head screw | 10 |
| 12 | 2 | 1382693856 | ANGLE BRACKET BL 2,50X30X116 | 23 |
| 13 | 2 | 141123420 | Self-tapp. counters. screw | 10 |
| 14 | 1 | 2391091725 | End piece | 12 |
| 15 | 1 | 1391200145 | PLUG QUERANSCHLAG | 14 |
| 16 | 1 | 1393005315 | FENCE EXTRUSION 300 MM | 25 |
| 17 | 2 | 6110076574 | Truss head screw | 10 |
| 18 | 21 | 141151940 | Washer | 10 |
| 19 | 4 | 6241125058 | Knurled nut | 12 |
| 20 | 1 | 7001144191 | STARKNOB SCREW M 8X23 (DIN 933) VERZINKT | 13 |
| 21 | 1 | 1390018033 | STOP RULE | 25 |
| 22 | 4 | 6172032905 | CROSS REC'D PAN HEAD TAP.SCREW ST 3,5X16 | 10 |
| 23 | 1 | 6174155800 | Self-tapp. counters. screw | 10 |
| 24 | 1 | 1382409775 | STOP RULE, LOWER BL 2,99 (N.ZCHNG) | 27 |
| 25 | 1 | 1381410559 | GLIDE PIECE | 12 |
| 26 | 1 | 6264139374 | CAGE NUT M 8 BLECHSTÄRKE 1,8-3,2 | 12 |
| 27 | 6 | 141130100 | Hexagonal nut | 10 |
| 28 | 12 | 6103015675 | Hex head screw | 10 |
| 29 | 2 | 1381409879 | GUIDE PIECE QUERANSCHLAG | 14 |
| 30 | 1 | 1010017811 | FENCE EXTRUSION 300 MM | 27 |
| 32 | 6 | 6130019585 | SLOTTED FLAT HEAD SCREW M 6X20 VERZ. | 10 |
| 33 | 1 | 1382693287 | TABLE PANEL BL 2,00X668X868 TKHS315M | 39 |
| 34 | 1 | 1010186710 | MITRE FENCE ASSEMBLY ET | 42 |
| 35 | 1 | 1482693691 | CHIP CASE GUIDE PANEL BL 2,00X163X440 HI | 30 |
| 36 | 1 | 1482693179 | BRACKET FL 25X10X65 TKHS315M | 25 |
| 37 | 7 | 6202002291 | HEXAGON NUT, PREV. TORQUE TYPE | 10 |
| 38 | 7 | 141114860 | Hexagon head screw | 12 |
| 39 | 1 | 1381406667 | REMOVABLE TABLE SECTION | 24 |
| 40 | 1 | 1382721906 | HOSE CARRIER TKHS 315 D&D ET | 14 |
| 41 | 2 | 1482408962 | CAM PLATE BL 2,99XRD25/RDI 6,5 | 10 |
| 42 | 1 | 1382721892 | GUARD PLATE TKHS 315 D&D ET | 18 |

| | | | | |
|----|---|------------|--|----|
| 43 | 1 | 6172028215 | Fillister head screw | 10 |
| 44 | 1 | 141150110 | Washer | 10 |
| 45 | 1 | 1142694260 | SCALE 0,30X13X413 0,00-38,80 CM | 18 |
| 46 | 1 | 7854158010 | CORRUGATED HOSE RDI 36,2X1500 PROFIL D | 27 |
| 47 | 1 | 1010692594 | SAW BLADE GUARD W/SUCTION PORT TKHS315M | 22 |
| 48 | 1 | 1142694464 | ARBOR TILT SCALE 0,25X13 47-0 GRAD | 16 |
| 49 | 1 | 1482693683 | CHIP CASE GUIDE PANEL BL 2,00X163X440 VO | 30 |
| 50 | 7 | 6202002305 | HEXAGON NUT, PREV. TORQUE TYPE | 10 |
| 51 | 2 | 1485412910 | Spacer sleeve | 12 |
| 52 | 2 | 6110000659 | Truss head screw | 10 |
| 53 | 1 | 1383694279 | FENCE GUIDE EXTRUSION 463 MM TKHS315M | 28 |
| 54 | 3 | 6110031325 | Truss head screw | 10 |
| 55 | 1 | 1485693161 | SPACER SLEEVE RDI 12X7 | 12 |
| 56 | 1 | 1383680260 | Angle,KGT 501 | 30 |
| 57 | 1 | 1383158458 | RIP FENCE EXTRUSION 570 MM | 31 |
| 58 | 1 | 1382680053 | Locking element | 33 |
| 59 | 2 | 6132087995 | Countersunk screw | 10 |
| 60 | 1 | 7016050711 | STARLOCK | 10 |
| 61 | 1 | 1392205620 | Clamping plate,BL 1X26X91,5 | 12 |
| 62 | 1 | 6632111175 | BOLT WITH HEAD | 13 |
| 63 | 1 | 2390205484 | Cam lock lever | 19 |
| 64 | 1 | 1010680243 | Parallel guide,KGT501/TKHS | 44 |
| 70 | 1 | 1010692586 | WHEEL SET TKHS315M GUMMIBEREIFT | 29 |
| 71 | 4 | 1382693597 | LEG BL 1,5X142X842 TKHS315M | 29 |
| 72 | 2 | 1382407080 | STANCHION BL 1,5X118X844 LANG | 23 |
| 73 | 2 | 1382693813 | STANCHION BL 1,5X118X644 KURZ / TKHS315M | 23 |
| 74 | 1 | 1394201630 | Push stick | 19 |
| 75 | 1 | 1392038481 | OPEN END SPANNER BL 3X43/15X145 SW 19X14 | 15 |
| 76 | 1 | 1388680470 | SLIDING HANDLE RED | 31 |
| 77 | 1 | 1492102829 | Key | 20 |
| 78 | 1 | 1010689330 | HANDLE BAR (PAIR) TKHS315C/M | 20 |
| 79 | 2 | 6123612815 | RAISED CHEESE HEAD SCREW | 10 |
| 80 | 2 | 141150120 | Washer | 10 |
| 81 | 4 | 6172001830 | Fillister head screw | 10 |
| 82 | 1 | 1381689227 | DUST EXTRACTION PORT TKHS315C/M | 19 |
| 83 | 1 | 1382694160 | COVER BL 1,50X116X613,5 TKHS315M | 27 |
| 84 | 2 | 141113840 | Cap screw | 12 |
| 85 | 1 | 1382694119 | CHIPCASE BL 2,00X350X600 TKHS315M | 42 |
| 86 | 1 | 6127059207 | Cap screw | 10 |
| 87 | 1 | 1382693643 | SPLITTING BLADE TKHS315M | 25 |
| 88 | 1 | 1382213749 | PRESSURE PLATE BL 2,99X80X60 | 12 |
| 89 | 1 | 6209002432 | FLANGE NUT | 13 |

| | | | | |
|-----|---|------------|---|----|
| 90 | 1 | 1382407110 | SLIDE PLATE BL 1,5X48X137,5 | 12 |
| 94 | 1 | 1380693255 | RIVING KNIFE CARRIER VORNE TKHS315M | 22 |
| 95 | 1 | 1142694472 | SCALE 0,25X20X114 0-85 MM | 15 |
| 96 | 2 | 1380729756 | SWIVEL SEGMENT TKHS-M | 16 |
| 97 | 4 | 6103001135 | Hex head screw | 10 |
| 98 | 8 | 6305002486 | Washer | 10 |
| 100 | 1 | 141110320 | Hexagon head screw | 12 |
| 101 | 1 | 6110019007 | CUP SQUARE NECK SCREW M 12X50 VERZ. | 12 |
| 102 | 1 | 1382721876 | RIVING KNIFE CARRIER PLATE TKHS 315 D&D | 24 |
| 103 | 3 | 1482721857 | ANGLE BRACKET TKHS 315 D&D ET | 20 |
| 104 | 2 | 1482721849 | ANGLE BRACKET TKHS 315 D&D ET | 20 |
| 105 | 1 | 1382721868 | POINTER, BLADE TILT TKHS 315 D&D E | 16 |
| 106 | 1 | 6123022619 | RAISED CHEESE HEAD SCREW | 10 |
| 107 | 1 | 2391203523 | POINTER RAL 3000-3003 | 10 |
| 108 | 1 | 141130930 | Hexagonal lock nut | 10 |
| 109 | 1 | 1382721884 | MOTOR PLATE TKHS 315 D&D ET | 24 |
| 110 | 1 | 7053081619 | CUP SPRING | 10 |
| 111 | 1 | 6110000608 | CUP SQUARE NECK SCREW | 10 |
| 112 | 4 | 6132661454 | HEX.SOCKET COUNTERS.HEAD SCREW | 10 |
| 113 | 1 | 1383694139 | TOOTHED RACK 624 MM TKHS315M | 31 |
| 114 | 1 | 1391200390 | Selector wheel | 18 |
| 115 | 1 | 6300016713 | Washer | 10 |
| 116 | 1 | 6205032396 | HEXAGON THIN NUT | 10 |
| 117 | 1 | 1382722031 | CHIP CASE TKHS315 D&D | 37 |
| 118 | 1 | 1010689240 | BLADE COLLAR ASSEMBLY ET | 26 |
| 120 | 1 | 1482681987 | ANGLE POINTER BL 1,50X10X21,5 KGS303 | 12 |
| 121 | 8 | 141150130 | Washer | 10 |
| 122 | 1 | 7005155791 | WING NUT M 6 | 13 |
| 123 | 1 | 6103722010 | HEXAGON HEAD SCREW M 12-10 207LANG VER | 17 |
| 127 | 1 | 1010726545 | TERMINAL BOX ASSEMBLY 2,5 - 3,1 KW D&D | 24 |
| 128 | 1 | 6442694557 | SPACER SLEEVE RD 26,9/20,5X7 TKHS315M | 16 |
| 129 | 1 | 6721041830 | FEATHER KE A 6X4X50 | 10 |
| 131 | 1 | 1382694038 | HEIGHT-ADJUSTMENT BL 2,99 TKHS315M | 29 |
| 133 | 1 | 7100010180 | DEEP GROOVE BALL BEARING | 18 |
| 136 | 1 | 1388721916 | BEARING SEA TKHS 315 D&D ET | 14 |
| 137 | 1 | 6260721923 | TENSION NU TKHS 315 D&D ET | 13 |
| 138 | 1 | 1382411257 | HANDWHEEL BL 2X RD 165 | 20 |
| 139 | 2 | 6305002508 | WASHER B 13 VERZ. | 10 |
| 140 | 1 | 6201002158 | CAP NUT M 12 VERZ. | 12 |
| 141 | 1 | 6121112564 | HEXAGON SOCKET HEAD CAP SCREW | 10 |
| 142 | 1 | 7004017433 | TURNING TANG | 14 |
| 143 | 1 | 1010689259 | FAN WING+FAN COVER ET | 22 |

| | | | | |
|-----|---|------------|--|----|
| 145 | 2 | 6103001356 | HEXAGON HEAD SCREW M 6X16 VERZ.FLECKBESC | 10 |
| 146 | 1 | 1382694690 | SWITCH PLATE BL 2,00X108X135 TKHS315M | 25 |
| 147 | 1 | 8133693182 | SWITCH KSK WNB UC230V (GB) ET | 40 |
| 148 | 3 | 6132087995 | Countersunk screw | 10 |
| 149 | 1 | 8050011810 | Condenser | 27 |
| 150 | 1 | 1010693353 | MOTOR, CIRCULAR SAW BENCH T 2,50WNB 230 | 61 |
| 155 | 1 | 1010702140 | HANDWHEEL KPL. TKHS315M | 24 |

toolspareparts.com.au



| | Bedeutung der Kurzzeichen | Meaning of the symbols | Interprétation des symboles |
|---|---------------------------|-------------------------------------|-----------------------------|
| B | Stecker | plug | fiche |
| C | Kondensator | condenser | condensateur |
| D | Funktentstördrossel | interference suppression inductance | inductance d'antiparasitage |
| E | Elektronik-Baustein | electronic unit | unité électronique |
| I | Induktionsspule | induction coil | bobine d'inductance |
| K | Klemme | terminal | borne |
| L | Licht | light | lumière |
| M | Motor | motor | moteur |
| O | Überlastschutz | overload cut-out | déclencheur de surintensité |
| R | Drehrichtungsumschalter | reversing switch | commutateur droite-gauche |
| S | Schalter | switch | interrupteur |
| U | Umschalter | change-over switch | commutateur |
| X | Elektronik-Element | electronic element | élément électronique |

| | Litzenfarben | Colour of strands | Couleur des cordons |
|------|--------------|-------------------|---------------------|
| BK | schwarz | black | noir |
| WH | weiß | white | blanc |
| BU | blau | blue | bleu |
| YE | gelb | yellow | jaune |
| RD | rot | red | rouge |
| TR | transparent | transparent | transparent |
| BN | braun | brown | brun |
| GY | grau | grey | gris |
| GNYE | grün-gelb | green-yellow | vert-jaune |
| BKWH | schwarz-weiß | black-white | noir-blanc |
| GN | grün | green | vert |
| OG | orange | orange | orange |
| VT | violett | violet | violet |
| TQ | türkis | turquoise | turquoise |